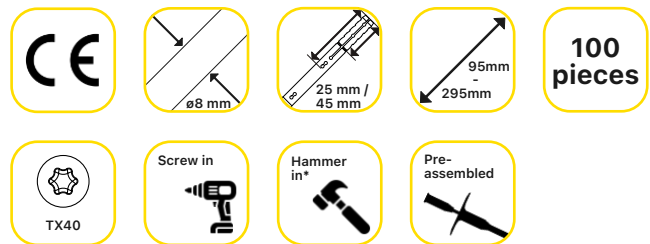


Fastener ETX-MT Z



Screwed in or nailed in plastic anchors for fixing of external thermal insulation composite systems with rendering - with a metal-plastic specific threaded nail



Product description

*Optional mounting method - not recommended for cat. A.

ETX fastener is a product with a wide range of applications. It can be fixed in any category of substrate. With a diameter of 8mm and a short anchoring zone (ABCD: 25mm, E: 45mm), much better strength parameters are achieved, as well as installation time is significantly reduced.

Features and Benefits

- ▶ Quality confirmed by the European CE certificate.
- ▶ Advanced plugs for polystyrene equipped with a metal pin with a plastic cover.
- ▶ Quicker installation, by using the shortest possible anchoring zone.
- ▶ The new design of the anchoring zone with a diameter of 8mm influenced to increase the strength parameters (up to 1,3 kN).
- ▶ Very high plate stiffness: 1,0kN/mm.
- ▶ Can be installed with optional TDW pressure plates.

Applications

- ▶ Facade insulation system (ETICS)
- ▶ Styrofoam plates
- ▶ Mineral wool plates
- ▶ Polyurethane plates
- ▶ Cork
- ▶ Wood wool plates

Material

- ▶ Sleeve – polypropylene
- ▶ Pin – galvanized steel with a plastic insulator

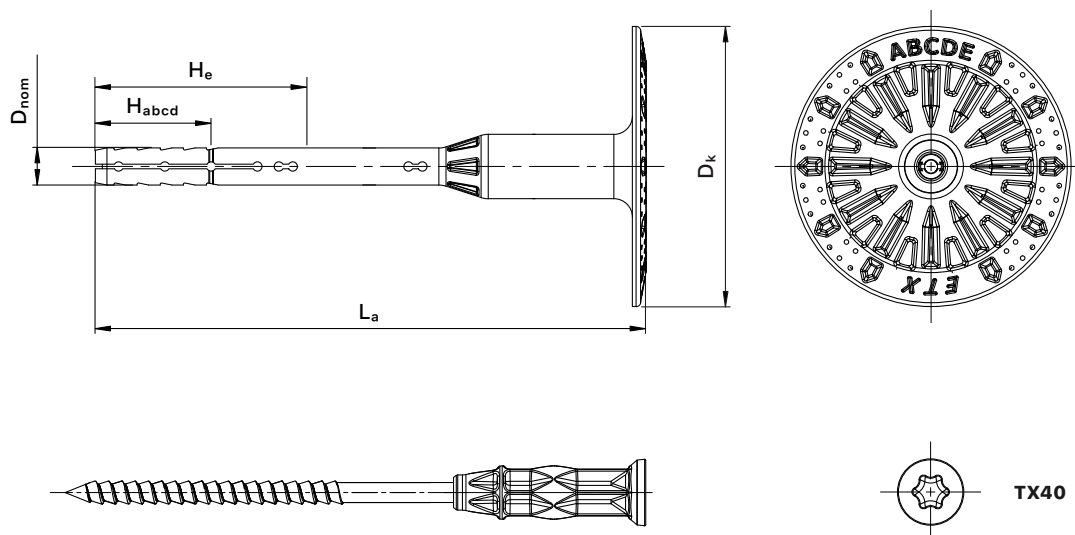
Approval

- ▶ European Technical Assessment ETA-23/0351

Substrate categories

- ▶ **A** - Concrete C12/15, Normal concrete of class C20/25 – C50/60
- ▶ **B** - Solid clay brick MZ, Solid silicate brick KS
- ▶ **C** - Perforated silicate brick KSL, Hollow brick Hlz, Porothersm 25
- ▶ **D** - Lightweight aggregate concrete LAC
- ▶ **E** - AAC2-AAC7 aerated concrete

Product information

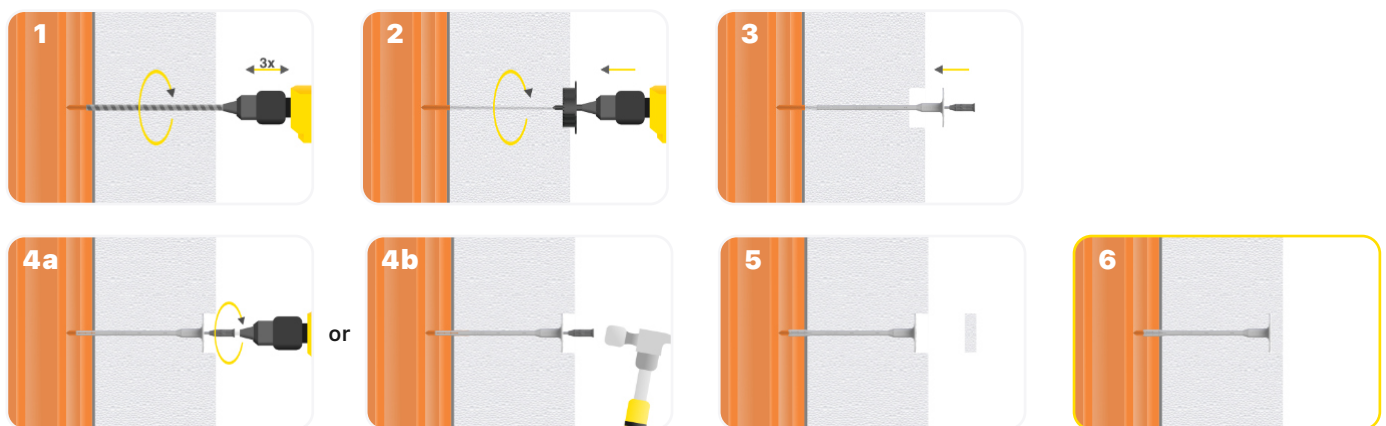


| Type | Diameter D_{nom} [mm] | Length L_a [mm] | Plate diameter D_k [mm] | Effective anchoring depth H_{abcd} / H_e [mm] | Mounting hole depth ABCD / E [mm] | Recommended thickness of ETICS for cat. ABCD (countersunk assembly) [mm] | Recommended thickness of ETICS for cat. E (countersunk assembly) [mm] |
|----------------|-------------------------------|-------------------------|------------------------------------|-------------------------------------------------------------|--------------------------------------------|--------------------------------------------------------------------------------------------|-----------------------------------------------------------------------------------------|
| ETX-MT Z 8x95 | 8 | 95 | 60 | 25 / 45 | 35 / 55 | 60 (80) | 40 (60) |
| ETX-MT Z 8x115 | 8 | 115 | 60 | 25 / 45 | 35 / 55 | 80 (100) | 60 (80) |
| ETX-MT Z 8x135 | 8 | 135 | 60 | 25 / 45 | 35 / 55 | 100 (120) | 80 (100) |
| ETX-MT Z 8x155 | 8 | 155 | 60 | 25 / 45 | 35 / 55 | 120 (140) | 100 (120) |
| ETX-MT Z 8x175 | 8 | 175 | 60 | 25 / 45 | 35 / 55 | 140 (160) | 120 (140) |
| ETX-MT Z 8x195 | 8 | 195 | 60 | 25 / 45 | 35 / 55 | 160 (180) | 140 (160) |
| ETX-MT Z 8x215 | 8 | 215 | 60 | 25 / 45 | 35 / 55 | 180 (200) | 160 (180) |
| ETX-MT Z 8x235 | 8 | 235 | 60 | 25 / 45 | 35 / 55 | 200 (220) | 180 (200) |
| ETX-MT Z 8x255 | 8 | 255 | 60 | 25 / 45 | 35 / 55 | 220 (240) | 200 (220) |
| ETX-MT Z 8x275 | 8 | 275 | 60 | 25 / 45 | 35 / 55 | 240 (260) | 220 (240) |
| ETX-MT Z 8x295 | 8 | 295 | 60 | 25 / 45 | 35 / 55 | 260 (280) | 240 (260) |

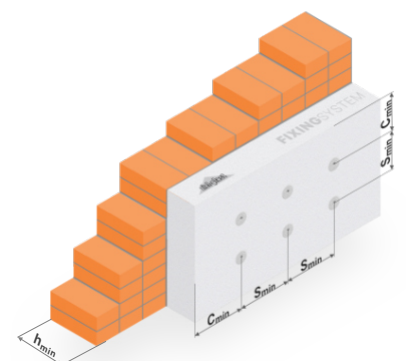
Characteristic resistance

| Substrate | Concrete C12/15 | Concrete C16/20 ÷ C50/60 | Thin concrete members C16/20 ÷ C50/60 | Clay brick MZ | Calcium silicate brick KS | Calcium silicate hollow block KSL, a=40mm | Vertically perforated clay bricks Porotherm 25, a=12mm | Vertically perforated clay bricks Porotherm 25, a=17mm | Lightweight concrete hollow block HBL, a=33mm | Lightweight concrete hollow block Tekno Amerblok PK178 a=30mm | Lightweight concrete hollow block Tekno Amerblok PK19 a=30mm | Lightweight concrete block LAC | Autoclaved aerated concrete block AAC2 | Autoclaved aerated concrete block AAC7 | |
|--------------------------------|----------------------|--------------------------|---------------------------------------|---------------|---------------------------|-------------------------------------------|--------------------------------------------------------|--------------------------------------------------------|-----------------------------------------------|---------------------------------------------------------------|--------------------------------------------------------------|--------------------------------|----------------------------------------|----------------------------------------|--|
| | Substrate categories | | | | | | | | | | | | | | |
| | A | A | A | B | B | C | C | C | C | C | C | D | E | E | |
| Drilling method | | | | | | | | | | | | | | | |
| | hammer | hammer | hammer | hammer | hammer | hammer | rotary | rotary | rotary | rotary | rotary | rotary | rotary | rotary | |
| Characteristic resistance [kN] | | | | | | | | | | | | | | | |
| H _{abcd} - 25mm | 0,90 | 1,30 | 1,30 | 1,30 | 1,30 | 1,30 | 0,50 | 0,70 | 0,60 | 1,30 | 1,30 | 0,60 | | | |
| H _e - 45mm | | | | | | | | | | | | | 0,50 | 0,90 | |

| Fastener type | ETX-MT | |
|----------------------------|---------|-------|
| The strength of the plate | [kN] | 1,95 |
| The stiffness of the plate | [kN/mm] | 1,0 |
| Point thermal conductivity | [W/K] | 0,002 |

Installation instructions


| | | |
|-------------------------------------------------------------|-------------------------|-----------------------|
| The minimum thickness of the substrate | $h_{min} \geq$ [mm] | 100 |
| Minimum spacing of fasteners | $S_{min} \geq$ [mm] | 100 |
| Minimum spacing of fasteners | $C_{min} \geq$ [mm] | 100 |
| Recommended number of pieces | pieces / m ² | 6-8 / m ² |
| Recommended number of pieces at the corners of the building | pieces / m ² | 8-10 / m ² |



Logistics information

| Type | Index | Quantity [pcs] | | Weight [kg] | | EAN code |
|----------------|---------|-----------------------|--------------------------|-----------------------|--------------------------|---------------|
| | | Unit package (carton) | Pallet (120x80x180 [cm]) | Unit package (carton) | Pallet (120x80x180 [cm]) | |
| ETX-MT Z 8x95 | EMT095Z | 100 | 10000 | 2,20 | 240 | 5907812671761 |
| ETX-MT Z 8x115 | EMT115Z | 100 | 8000 | 2,45 | 216 | 5907812671778 |
| ETX-MT Z 8x135 | EMT135Z | 100 | 8000 | 2,80 | 244 | 5907812671785 |
| ETX-MT Z 8x155 | EMT155Z | 100 | 5600 | 3,05 | 191 | 5907812671792 |
| ETX-MT Z 8x175 | EMT175Z | 100 | 5600 | 3,30 | 205 | 5907812671808 |
| ETX-MT Z 8x195 | EMT195Z | 100 | 5600 | 3,55 | 219 | 5907812671815 |
| ETX-MT Z 8x215 | EMT215Z | 100 | 5600 | 3,85 | 236 | 5907812671822 |
| ETX-MT Z 8x235 | EMT235Z | 100 | 5600 | 4,20 | 256 | 5907812671839 |
| ETX-MT Z 8x255 | EMT255Z | 100 | 5600 | 4,50 | 272 | 5907812671846 |
| ETX-MT Z 8x275 | EMT275Z | 100 | 4200 | 4,75 | 220 | 5907812671853 |
| ETX-MT Z 8x295 | EMT295Z | 100 | 4200 | 5,05 | 232 | 5907812671860 |