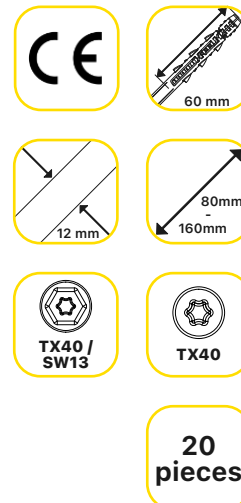
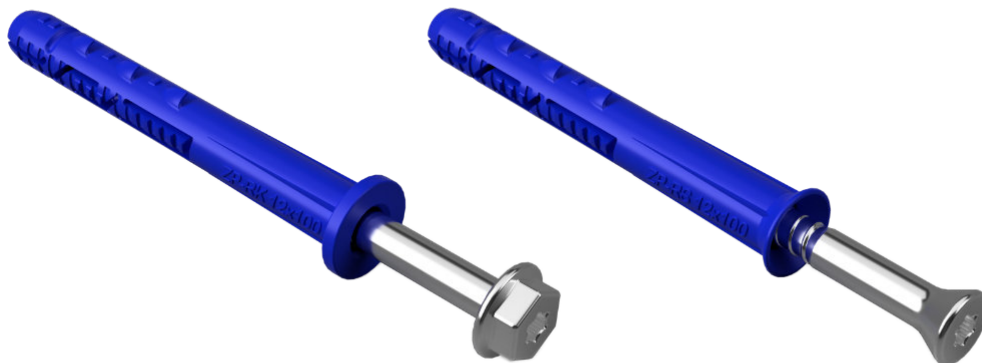


Frame fixing Ø12



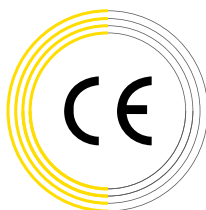
Product description

▶ **European Technical Assessment**
ETA-21/0610

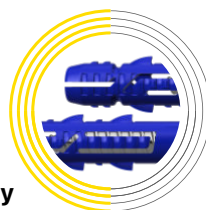
▶ **Material:**
Sleeve - nylon / polyamide
Screw - galvanized steel

▶ **Application:**
recommended for a wide range of applications in building materials with base materials categories: **A, B, C, D.**

The products of the **ZP-RK** and **ZP-RS** series have obtained the European Technical Assessment **ETA-19/0573**, which ensures **the highest quality** that meets the needs of the most demanding customers.



The geometry of the dowel is designed to spread **in many planes.**



The frame plug with a **large diameter flange** perfectly insulates from the fastened material, thus preventing contact corrosion.

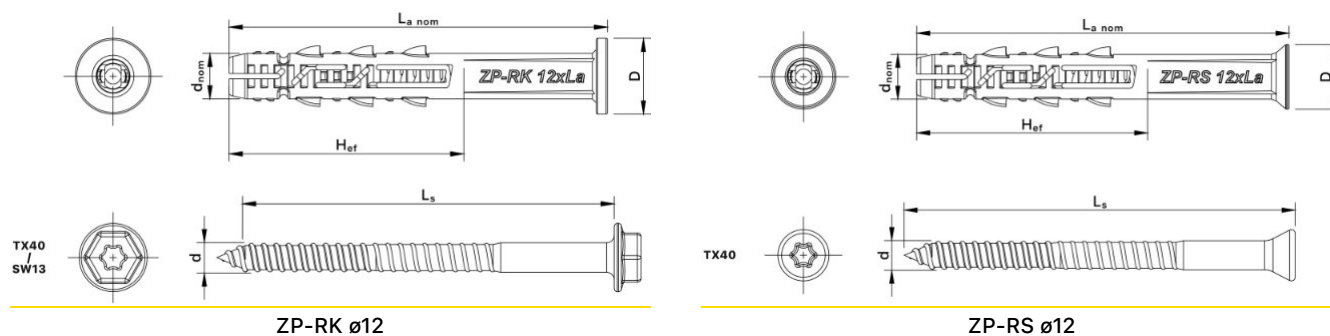


Installation instructions



1. Drill a hole perpendicular to the substrate. Clean the hole.
2. Insert the sleeve into the hole.
3. Screwing the screw into the sleeve of the fastener.
4. The fastener is seated correctly.

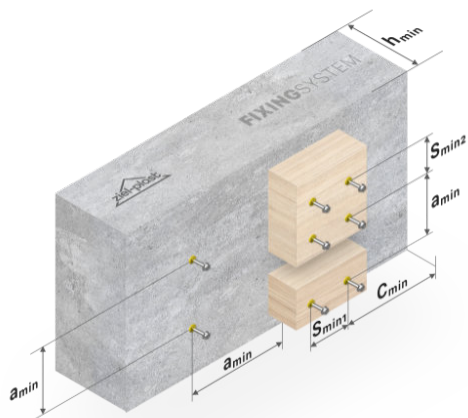
Product information



Type	Plug			Screw		Effective anchoring depth H_{ef} [mm]	Mounting hole depth [mm]	Maximum thickness of the fixed element [mm]
	Diameter d_{nom} [mm]	Length $L_{a nom}$ [mm]	Diameter D [mm]	Diameter d [mm]	Length L_s [mm]			
ZP-RK 12x80	12	80	20	8,0	87	60	70	20
ZP-RK 12x100	12	100	20	8,0	107	60	70	40
ZP-RK 12x120	12	120	20	8,0	127	60	70	60
ZP-RK 12x140	12	140	20	8,0	147	60	70	80
ZP-RK 12x160	12	160	20	8,0	167	60	70	100
ZP-RS 12x80	12	80	17	8,0	87	60	70	20
ZP-RS 12x100	12	100	17	8,0	107	60	70	40
ZP-RS 12x120	12	120	17	8,0	127	60	70	60
ZP-RS 12x140	12	140	17	8,0	147	60	70	80
ZP-RS 12x160	12	160	17	8,0	167	60	70	100

Characteristic resistance

Base materials	Concrete C12 / 15	Concrete \geq C16/20	Solid clay brick MZ	Solid silicate brick KS	Perforated silicate brick KSL	Vertical perforated clay bricks, Porotherm P+W 25	Autoclaved aerated concrete AAC2	Autoclaved aerated concrete AAC6
	Base materials categories							
	A	A	B	B	C	C	D	D
Drilling method								
	hammer	hammer	hammer	hammer	drill	drill	drill	drill
Characteristic resistance [kN]								
$H_{ef} = 60\text{mm}$	5,0	6,0	3,0	3,0	3,0	1,2	0,9	1,6



Base material	$h_{min} \geq$ [mm]	$C_{min} \geq$ [mm]	$S_{min} \geq$ [mm]
Concrete > C16 / 20	100	60	60
Concrete > C12 / 15	100	84	84

Base material	Single fastener			Fastener in group	
	$h_{min} \geq$ [mm]	$C_{min} \geq$ [mm]	$a_{min} \geq$ [mm]	$S_{min1} \geq$ [mm]	$S_{min2} \geq$ [mm]
Solid clay brick MZ	125	60	250	200	400
Solid silicate brick KS	238	60	250	200	400
Perforated silicate brick KSL	115	60	250	200	400
Vertical perforated clay bricks, Porothersm P+W 25	238	80	250	200	400
Autoclaved aerated concrete AAC2	100	100	250	200	400
Autoclaved aerated concrete AAC6	100	100	250	200	400

Logistics information

Type	Index	Quantity [pcs]		Weight [kg]		EAN code
		Unit package (carton)	Pallet	Unit package (carton)	Pallet	
ZP-RK 12x80	RK12X80	20	8800	0,80	380	5908275918691
ZP-RK 12x100	RK12X100	20	8800	1,00	465	5908275918707
ZP-RK 12x120	RK12X120	20	8800	1,20	555	5908275918714
ZP-RK 12x140	RK12X140	20	6080	1,35	435	5908275918721
ZP-RK 12x160	RK12X160	20	6080	1,55	500	5908275918738
ZP-RS 12x80	RS12X80	20	8800	0,75	355	5908275918554
ZP-RS 12x100	RS12X100	20	8800	0,95	445	5908275918561
ZP-RS 12x120	RS12X120	20	8800	1,10	510	5908275918578
ZP-RS 12x140	RS12X140	20	6080	1,25	405	5908275918585
ZP-RS 12x160	RS12X160	20	6080	1,45	470	5908275918592