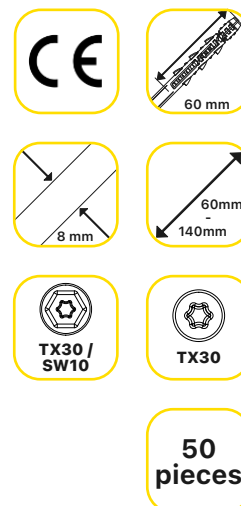


Frame fixing Ø8



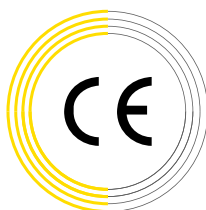
Product description

▶ **European Technical Assessment**
ETA-21/0610

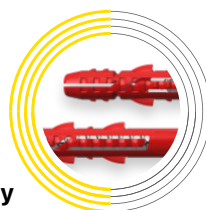
▶ **Material:**
Sleeve - nylon / polyamide
Screw - galvanized steel

▶ **Application:**
recommended for a wide range of applications in building materials with base materials categories: **A, B, C, D.**

The products of the **ZP-RK** and **ZP-RS** series have obtained the European Technical Assessment **ETA-19/0573**, which ensures **the highest quality** that meets the needs of the most demanding customers.



The geometry of the dowel is designed to spread **in many planes.**



The frame plug with a **large diameter flange** perfectly insulates from the fastened material, thus preventing contact corrosion.

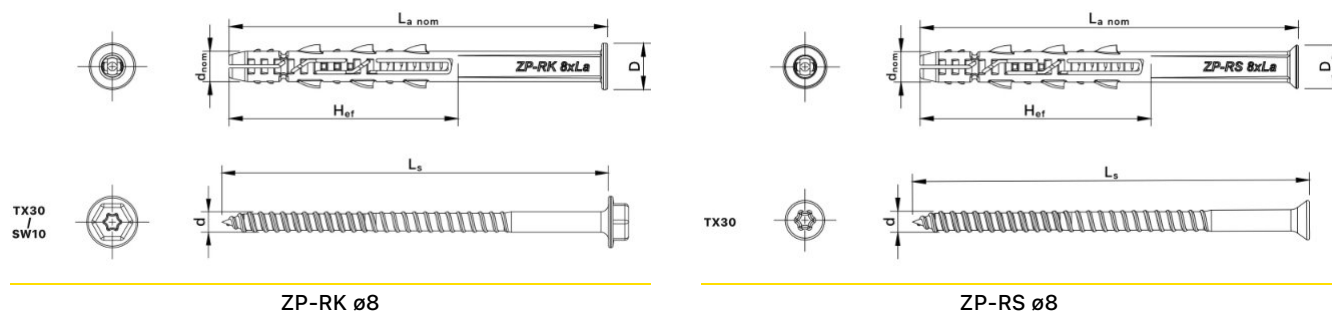


Installation instructions



1. Drill a hole perpendicular to the substrate. Clean the hole.
2. Insert the sleeve into the hole.
3. Screwing the screw into the sleeve of the fastener.
4. The fastener is seated correctly.

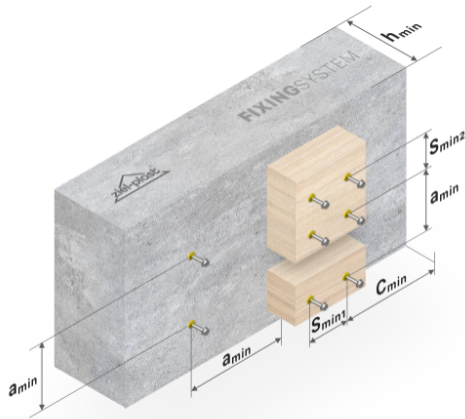
Product information



Type	Plug			Screw		Effective anchoring depth H_{ef} [mm]	Mounting hole depth [mm]	Maximum thickness of the fixed element [mm]
	Diameter d_{nom} [mm]	Length $L_{a nom}$ [mm]	Diameter D [mm]	Diameter d [mm]	Length L_s [mm]			
ZP-RK 8x60	8	62	14	5,6	65	60	70	2
ZP-RK 8x80	8	80	14	5,6	85	60	70	20
ZP-RK 8x100	8	100	14	5,6	105	60	70	40
ZP-RK 8x120	8	120	14	5,6	125	60	70	60
ZP-RK 8x140	8	140	14	5,6	145	60	70	80
ZP-RS 8x60	8	62	11	5,6	65	60	70	2
ZP-RS 8x80	8	80	11	5,6	85	60	70	20
ZP-RS 8x100	8	100	11	5,6	105	60	70	40
ZP-RS 8x120	8	120	11	5,6	125	60	70	60
ZP-RS 8x140	8	140	11	5,6	145	60	70	80

Characteristic resistance

Base materials	Concrete C12 / 15	Concrete \geq C16/20	Solid clay brick MZ	Solid silicate brick KS	Perforated silicate brick KSL	Vertical perforated clay bricks, Porotherm P+W 25	Autoclaved aerated concrete AAC2	Autoclaved aerated concrete AAC6	
	Base materials categories								
	A	A	B	B	C	C	D	D	
	Drilling method								
	hammer	hammer	hammer	hammer	drill	drill	drill	drill	
	Characteristic resistance [kN]								
$H_{ef} - 60\text{mm}$	1,2	2,0	2,5	2,5	2,5	0,9	0,75	0,9	



Base material	$h_{min} \geq$ [mm]	$C_{min} \geq$ [mm]	$S_{min} \geq$ [mm]
Concrete > C16 / 20	100	60	60
Concrete > C12 / 15	100	84	84

Base material	Single fastener			Fastener in group	
	$h_{min} \geq$ [mm]	$C_{min} \geq$ [mm]	$a_{min} \geq$ [mm]	$S_{min1} \geq$ [mm]	$S_{min2} \geq$ [mm]
Solid clay brick MZ	125	60	250	200	400
Solid silicate brick KS	125	60	250	200	400
Perforated silicate brick KSL	115	60	250	200	400
Vertical perforated clay bricks, Porothersm P+W 25	238	80	250	200	400
Autoclaved aerated concrete AAC2	100	100	250	200	400
Autoclaved aerated concrete AAC6	100	100	250	200	400

Logistics information

Type	Index	Quantity [pcs]		Weight [kg]		EAN code
		Unit package (carton)	Pallet	Unit package (carton)	Pallet	
ZP-RK 8x60	RK8X60	50	22000	0,85	394	5908275918943
ZP-RK 8x80	RK8X80	50	22000	1,05	490	5908275918608
ZP-RK 8x100	RK8X100	50	22000	1,25	575	5908275918615
ZP-RK 8x120	RK8X120	50	22000	1,45	665	5908275918622
ZP-RK 8x140	RK8X140	50	15200	1,65	530	5908275918639
ZP-RS 8x60	RS8X60	50	22000	0,75	350	5908275918950
ZP-RS 8x80	RS8X80	50	22000	0,95	445	5908275918462
ZP-RS 8x100	RS8X100	50	22000	1,15	530	5908275918479
ZP-RS 8x120	RS8X120	50	22000	1,35	620	5908275918486
ZP-RS 8x140	RS8X140	50	15200	1,55	500	5908275918493